

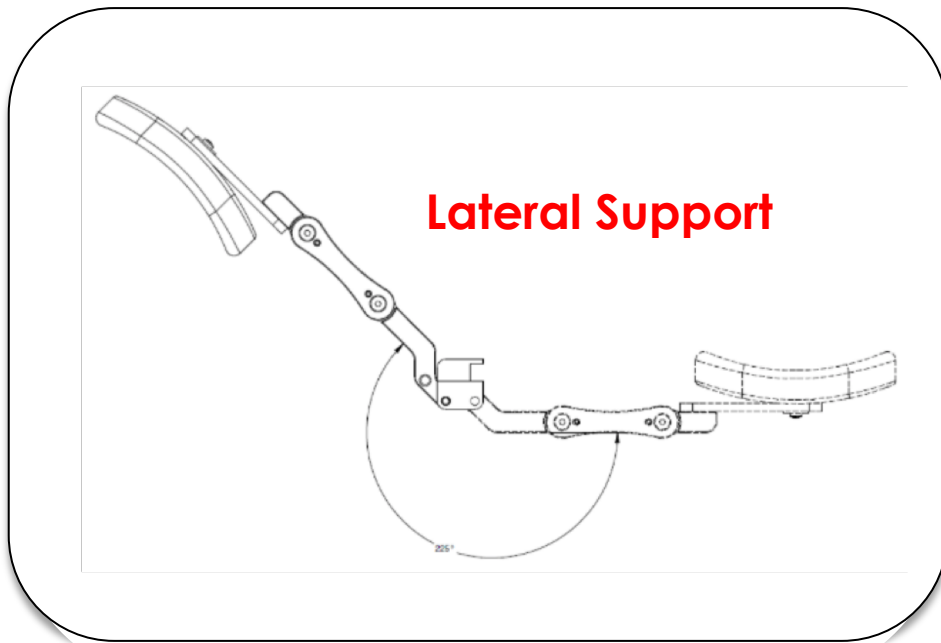
# Gel Oventions™

# FULL CLEARANCE

Some days you just can't seem to get out of your own way. It doesn't take much: 1/10" here... a few degrees there.

**It can make the difference between client transfer and therapist access being easy or cumbersome and time consuming.**

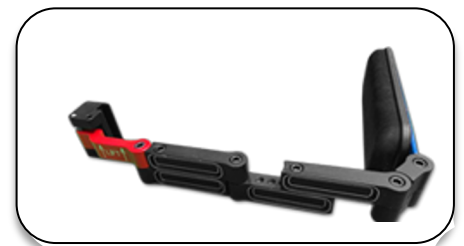
That's why Gel Oventions / Falcon has introduced its new line of **Full Clearance hardware**. Whether it is a lateral, Elbow Stop, or Thoracic Stabilizer



**Elbow Stop**



**Thoracic Stabilizer**



**Full Clearance** is your assurance that the hardware will move completely out of your way so you can take care of the client with a **minimum of complexity and effort**.

Which is really good on those days when getting things out of the way seems particularly problematic.

Test them for yourself. **It's going to be love at first use.**

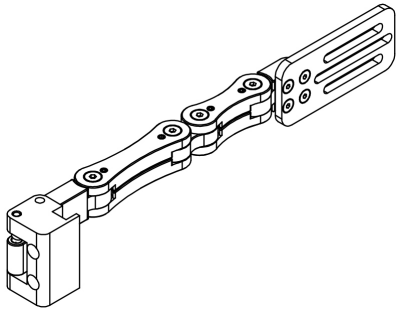
**Gel Oventions™**  
GelOventions.com

8245 Quebec Street  
Commerce City, CO 80022  
Fax (888) 368-9598  
Tel (303) 914-0141  
Tel (888) 435-6828  
service@GelOventions.com

**Falcon Rehabilitation**  
VA contract #  
**36F79718D0323**  
Expiration 12/31/27

# STA-RITE™ LATERAL SUPPORT PRODUCT GUIDE

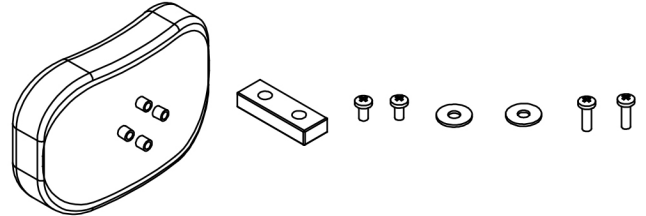
## REGULAR < 250 LBS, ALUMINUM CONE JOINTS



### LATERAL SUPPORTS, REGULAR <250 LBS

| SIDE  | CODE   |
|-------|--------|
| LEFT  | SRRLHL |
| RIGHT | SRRLHR |

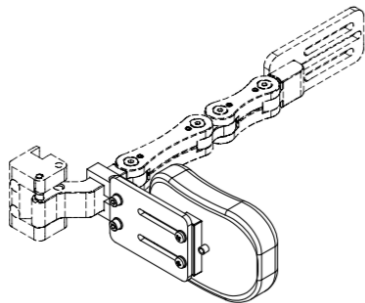
## CURVED LATERAL PADS



### LATERAL PADS

| PAD SIZE         | PAD W/<br>HDW (PAIR) | PAD W/ HDW<br>(SINGLE) | PAD ONLY<br>(SINGLE) |
|------------------|----------------------|------------------------|----------------------|
| 3 x 5 CURVED     | 35DGLP               | 35DGLP1                | TM0461-35            |
| 4 x 4 CURVED     | 44DGLP               | 44DGLP1                | TM0641-44            |
| 4 x 6 CURVED     | 46DGLP               | 46DGLP1                | TM0461-46            |
| 5 x 7 CURVED     | 57DGLP               | 57DGLP1                | TM0461-57            |
| 6 x 7 1/2 CURVED | 62DGLP               | 62DGLP1                | TM0641-67            |
| 8 x 9 CURVED     | 89DGLP               | 89DGLP1                | TM0641-89            |

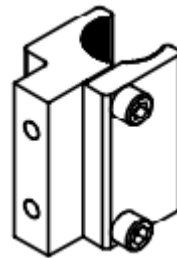
## LATERAL ADD ON ELBOW STOP



### ELBOW STOPS

| PAD SIZE       | CODE SINGLE |
|----------------|-------------|
| 3" x 4" OVAL   | 34SRESL     |
| 3" x 5" CURVED | 35SRESL     |
| 4" x 4" CURVED | 44SRESL     |
| 4" x 6" CURVED | 46SRESL     |

## LATERAL TO BACK ATTACHMENT HARDWARE



### PERMOBIL BACK PAN MOUNT (LEFT OR RIGHT)

|           |       |
|-----------|-------|
| CODE EACH | SRAPB |
|-----------|-------|

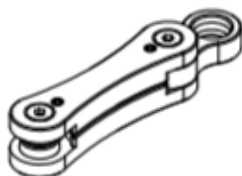
### SIDE TRACK MOUNT (LEFT OR RIGHT)

|           |         |
|-----------|---------|
| CODE EACH | SRSMABM |
|-----------|---------|

### ROUND TUBE BACK POST MOUNTS

| TUBE DIAMETER | CLAMP<br>HEIGHT | CODE SINGLE | CODE<br>PAIR |
|---------------|-----------------|-------------|--------------|
| 3/4"          | 2"              | SAB2J1      | SAB2J        |
| 3/4"          | 3"              | SAB3J1      | SAB3J        |
| 7/8"          | 2"              | SAB2C1      | SAB2C        |
| 7/8"          | 3"              | SAB3C1      | SAB3C        |
| 1"            | 2"              | SAB2D1      | SAB2D        |
| 1"            | 3"              | SAB3D1      | SAB3D        |

## EXTENSION ARMS



| LENGTH | CODE EACH |
|--------|-----------|
| 2"     | SRLLH2    |
| 3"     | SRLL3     |